

TECHNICAL FILE:

Rotary dimmer switch

1.- Technical specifications

Rated voltage: 250 V ~

Rated current: 10 AX

Manufactured according CEI 60.669-1 standard

Surface mounting on wall and universal box according EN-60-670 standard

Screwless terminals



2.- Material characteristics

Unit dimmer device

Not compatible with electronic or toroidal core transformers.

Load specifications: resistive or inductive load

Depending on electromagnetic transformer it is recommended to use a filter adapter.

Model 500W

Power (incandescence) min/nom/max: 75/250/500 VA

Power (halogen) min/nom/max: 75/150/250 VA

Dimensions: 50 x 41 x 14,3 (mm)



Model 900W

Power min/nom/max: 60/600/900 VA

Power (halogen) min/nom/max: 60/350/500 VA

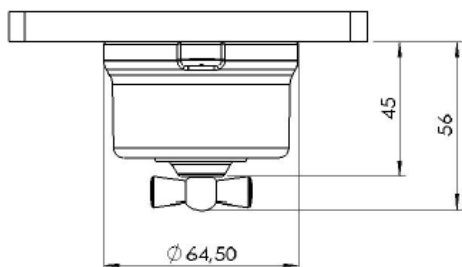
Dimensions: 50,4 x 50,4 x 29,4 (mm)



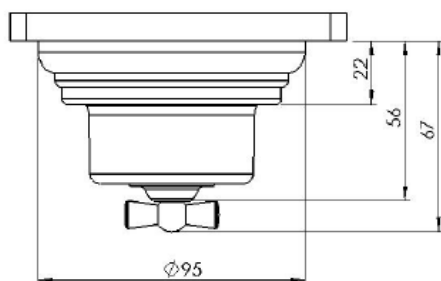
Garby Collection

Dimensions (size in mm)

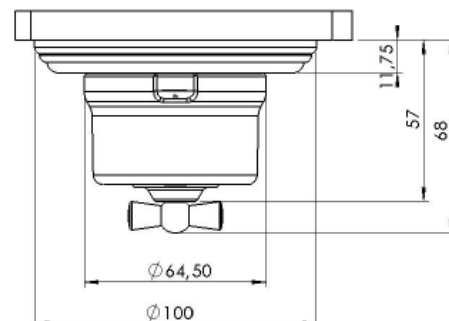
Installation on wall



With Garby frame

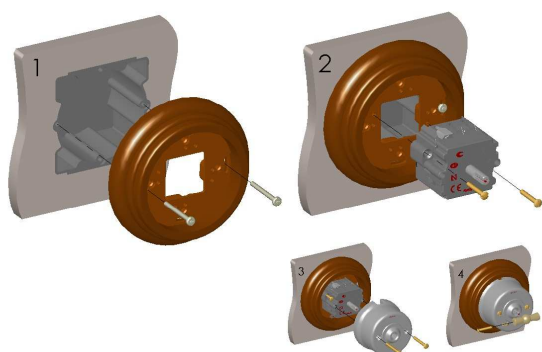


With Garby Colonial frame



INSTALLATION INSTRUCTIONS

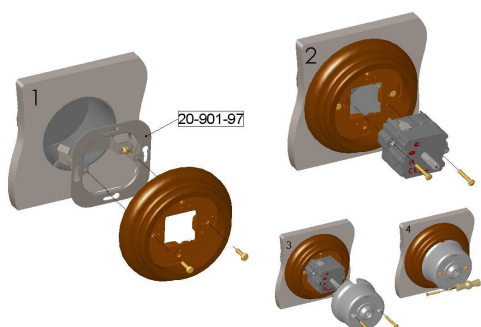
Garby frame on universal flush box installation



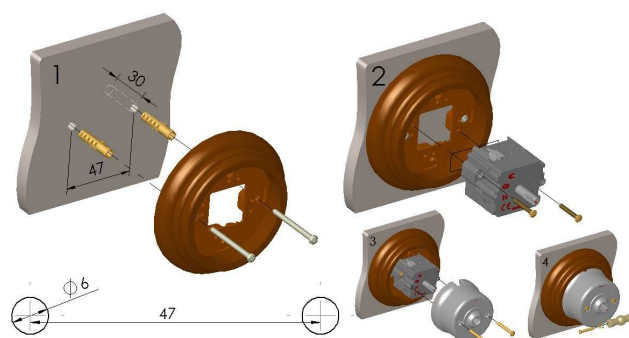
Venezia frame on universal box installation



Garby frame on round box without screws

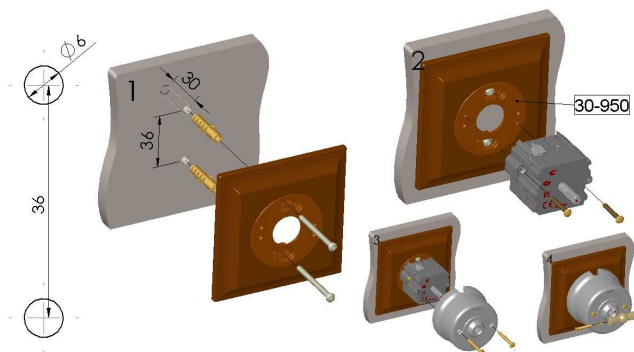


Garby frame directly on wall installation

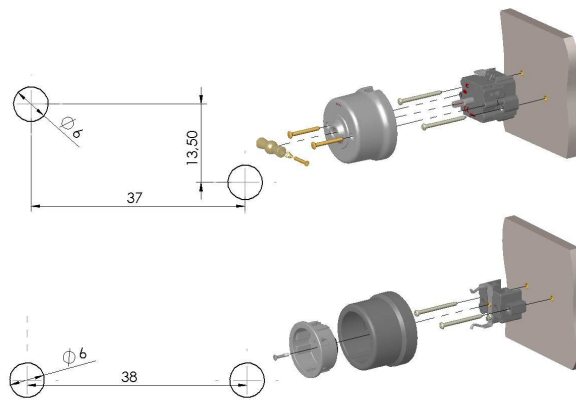


Garby Collection

Venezia frame directly on wall installation



Without frame directly on wall



Installation diagram

