

TECHNICAL FILE:**PUSHBUTTON****1.- Technical specifications**

Rated voltage: 250 V ~

Rated current: 10 AX

Protection degree: IP20

Manufactured according to EN 60.669-1

Flush mounting in universal box according EN-60.670 standard

2.- Material characteristics

Main body: Polycarbonate

Glow wire test: 850 °C

Terminals: Brass CuZn33

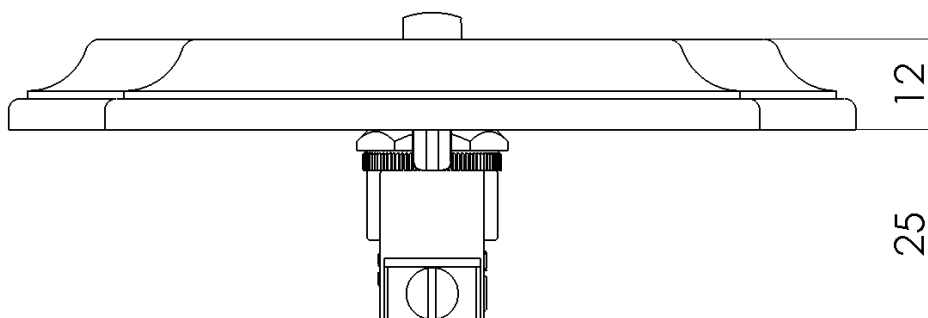
Screws: Steel CQ15. Slotted Phillips pan head. Metric thread M3.5

External cover: ASA PC

Pushbutton: BRASS

3.- Certifications

CE certificate

Product dimensions (mm)

Installation diagram

