

**TECHNICAL FILE:****PUSHBUTTON****1.- Technical specifications**

Rated voltage: 250 V ~

Rated current: 10 AX

Protection degree: IP20

Manufactured according to EN 60.669-1

Surface mounting on wall and universal box according EN-60.670 standard

Screwless terminals (accepts from 1 mm<sup>2</sup> to 2.5 mm<sup>2</sup> cross section cable)

**2.- Material characteristics**

Main body: Polycarbonate

Glow wire test: 850 °C

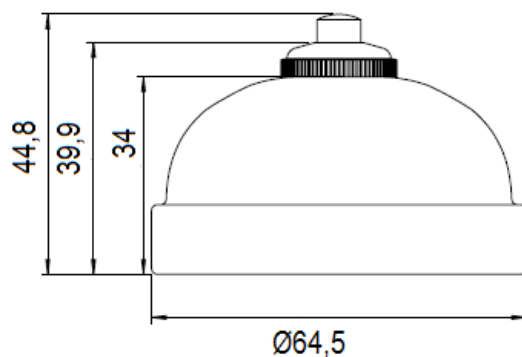
Terminals: Brass CuZn33

Nut: Brass

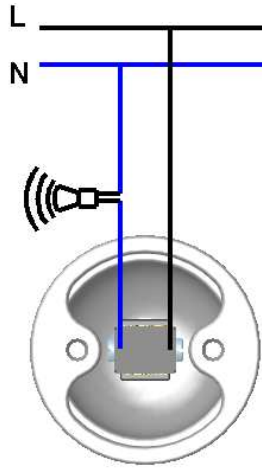
External cover: Porcelain

**3.- Certifications**

CE certificate

**Height dimensions (size in mm)**

Installation diagram



**30-310**