

**TECHNICAL FILE:**

## Switches

**1.- Technical specifications**

Rated voltage: 230 V ~

Rated current: 10 AX

Manufactured according to EN 60.669-1

Flush mounting in universal box according EN-60-670 standard

Screwless terminals (accepts from 1 mm<sup>2</sup> to 2.5 mm<sup>2</sup> cross section cable)**2.- Material characteristics**

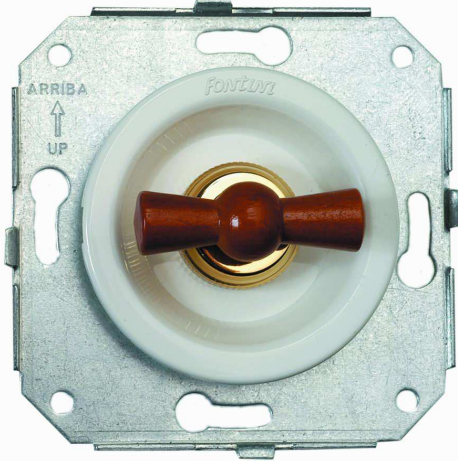
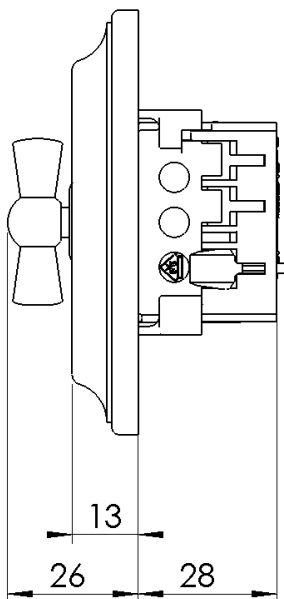
Main body: Polyamide 66 (PA66)

Glow wire test: 850 °C

Terminals: CuZn33

**3.- Certifications**

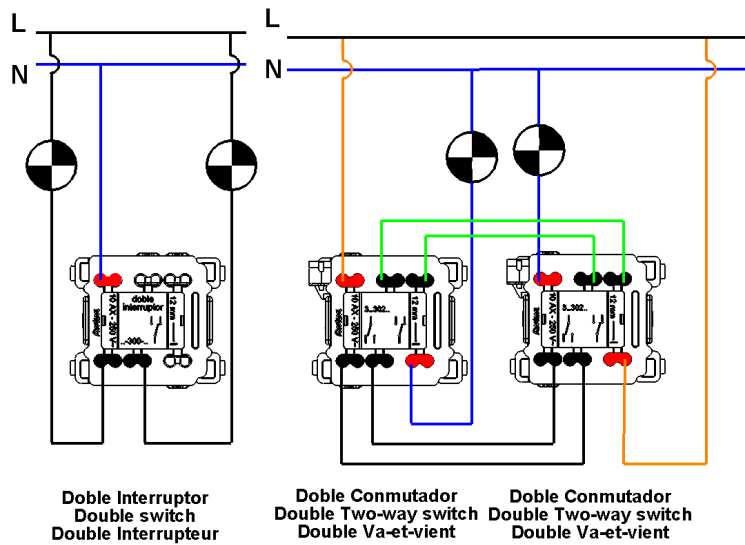
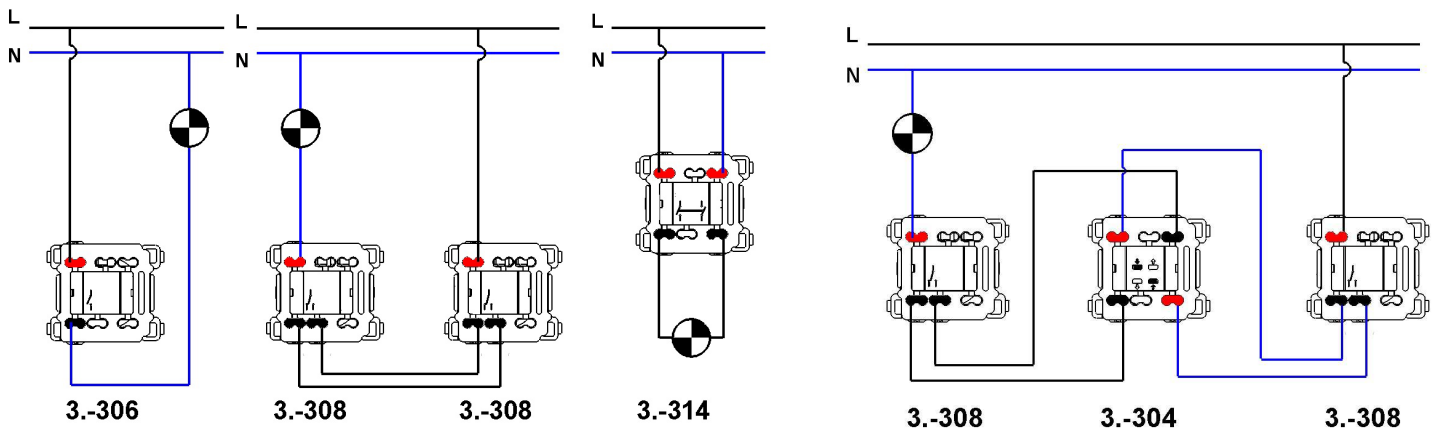
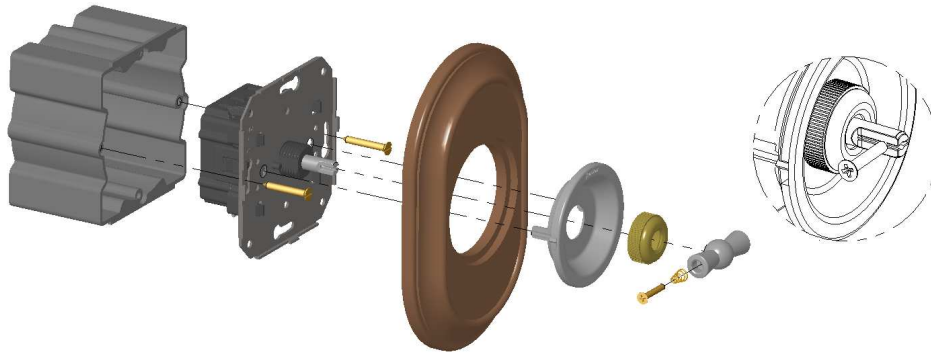
Certificados AENOR, NF, VDE y GOST

**Height dimensions (size in mm)**

# Venezia Collection

## Installation diagram

### VENEZIA



Doble Interruptor  
Double switch  
Double Interrupteur

Doble Conmutador  
Double Two-way switch  
Double Va-et-vient

Doble Conmutador  
Double Two-way switch  
Double Va-et-vient