

TECHNICAL FILE:**RJ 45 Data socket****1.- Technical specifications**

Brand: AMP

Jack type : RJ45

Performance category: Category 6

Wiring pattern : Universal

Shielded: No

Flush mounting in universal box according EN-60-670 standard

Can be combined with telephone socket.

2.- Material specifications

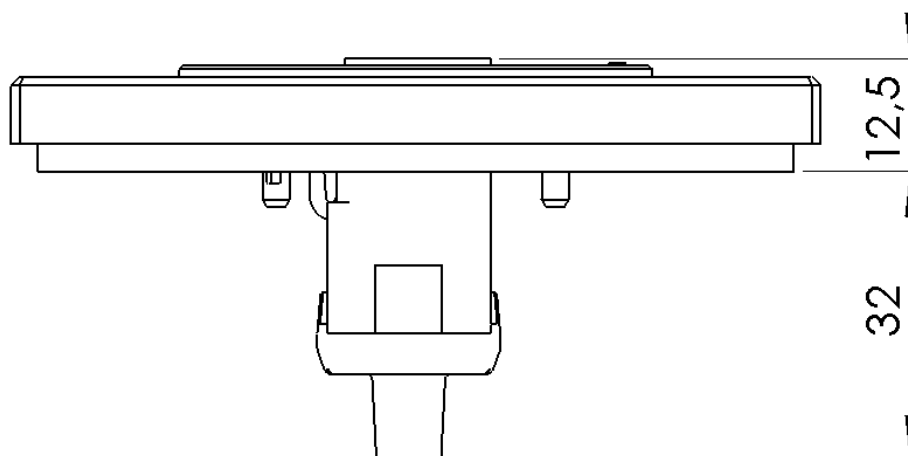
Contact Base Material : Phosphor Bronze

Contact Plating, Mating Area, Material : Gold

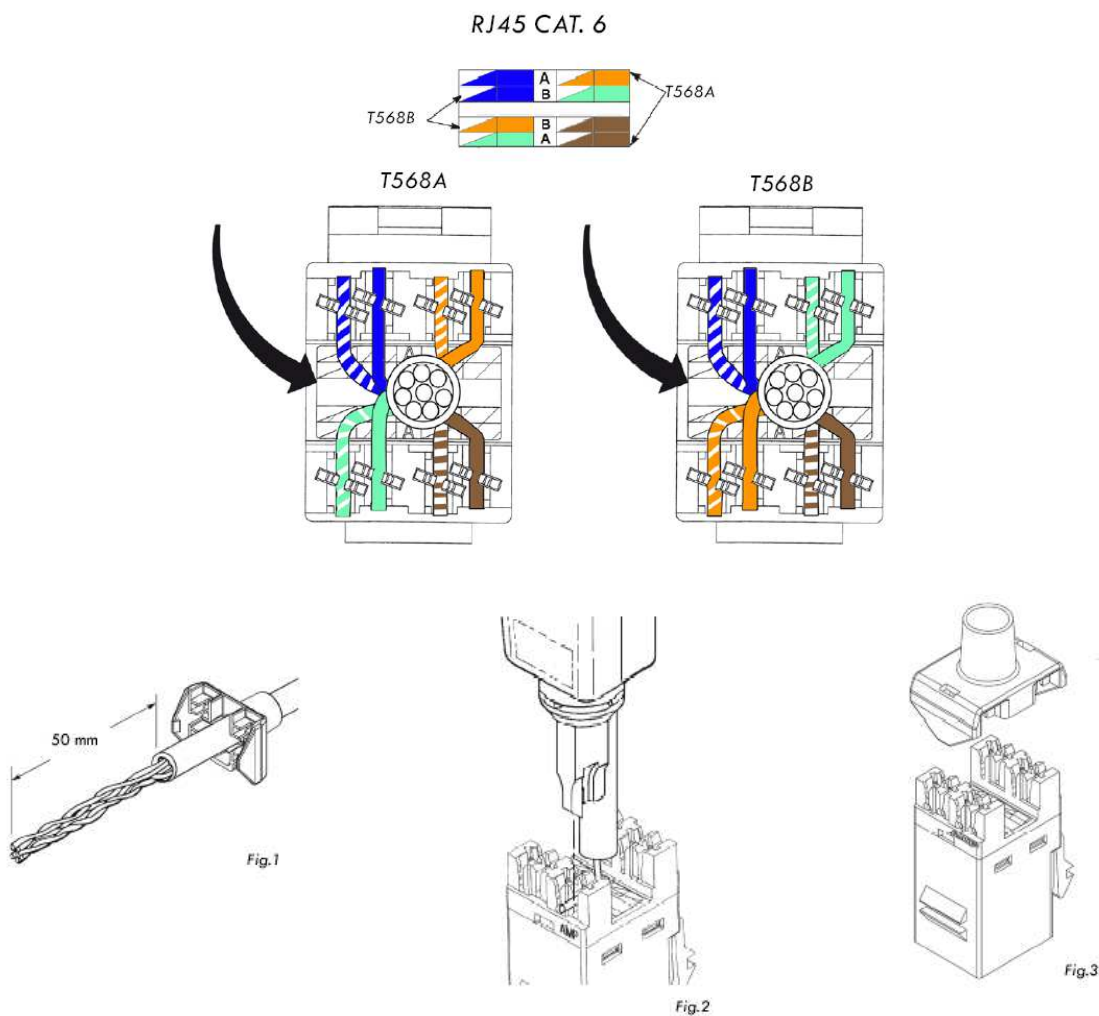
Contact Plating, Mating Area, Thickness (μm) : 1.27

3.- Certificate approvals

ROHS compliance

**Height dimensions (size in mm)**

Installation instructions



Supply Options

You can order different frame sizes and you can combine other mechanisms with a RJ45 data sockets depending on the frame you choose