

TECHNICAL FILE:

RJ 45 Data socket

**1.- Technical specifications**

Brand: AMP

Jack type : RJ45

Performance category: Cat 6

Wiring pattern : Universal

Shielded: No

Flush mounting in universal box according EN-60-670 standard

Can be combined with RJ45 socket.

2.- Material specifications

Housing material: Polycarbonate

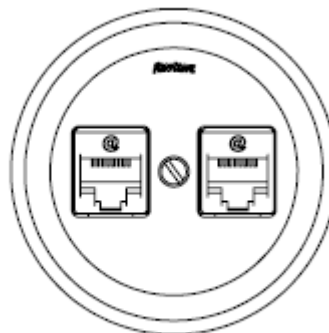
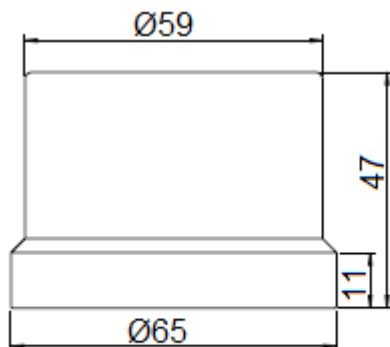
UL Flammability Rating : UL 94V-0

Contact Base Material : Phosphor Bronze

Contact Plating, Mating Area, Material : Gold

Contact Plating, Mating Area, Thickness (μm) : 1.27**3.- Certificate approvals**

ROHS compliance

Dimensions (size in mm)

Installation instructions

