

TECHNICAL FILE:

RJ 11 Telephone socket

1.- Technical specifications

Brand: Tyco Electronics connectors

Jack type : RJ11

Performance category: Cat 3

Wiring pattern : USOC

Shielded: No

Flush mounting in universal box according EN-60-670 standard

2.- Material specifications

Housing material: Polycarbonate

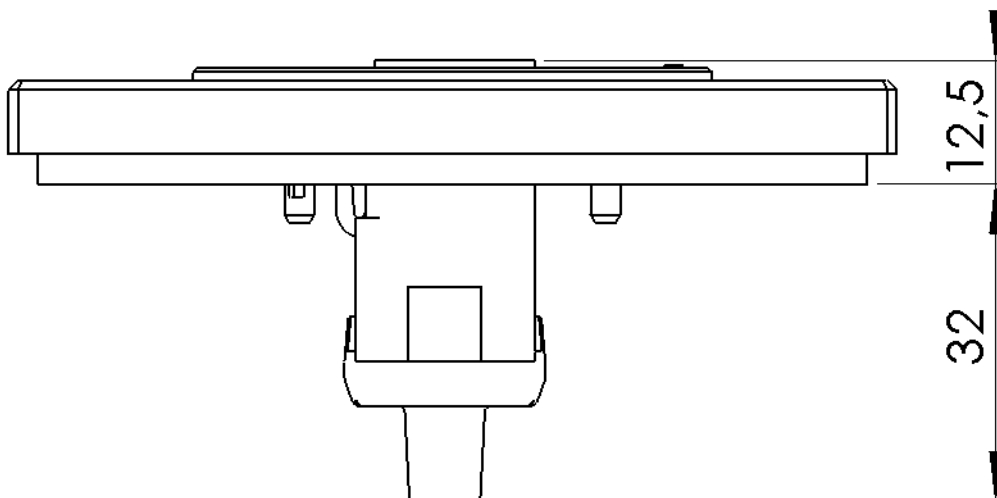
UL Flammability Rating : UL 94V-0

Contact Base Material : Phosphor Bronze

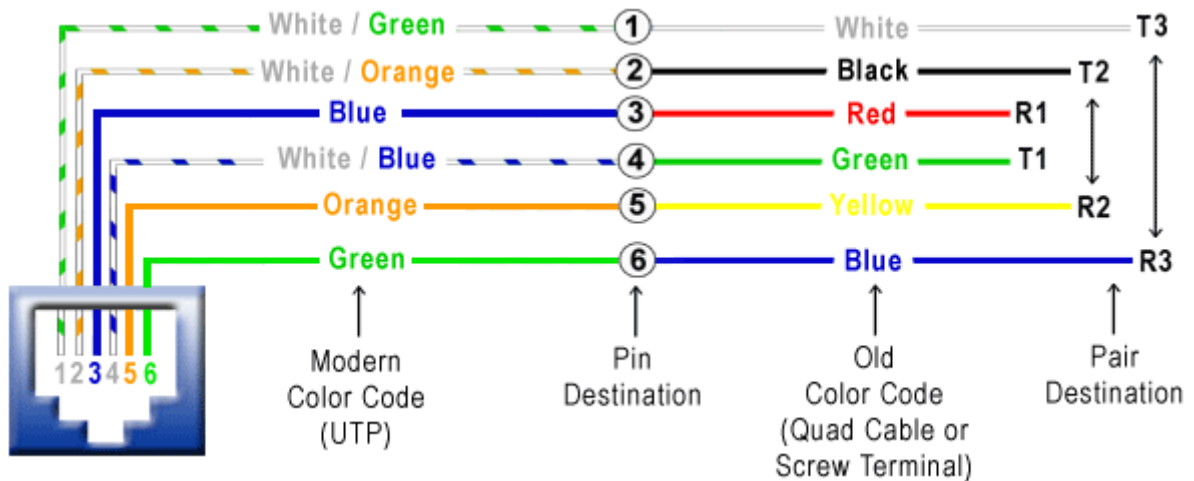
Contact Plating, Mating Area, Material : Gold

Contact Plating, Mating Area, Thickness (μm) : 1.27**3.- Certificate approvals**

ROHS compliance

**Height dimensions (size in mm)**

Installation instructions



One pair cable (R₁-T₁, normally red-green or white-brown) installation will be connected to blue and blue/white connectors.

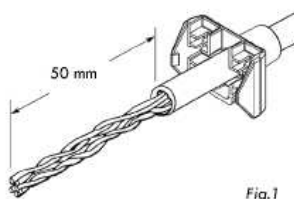


Fig.1

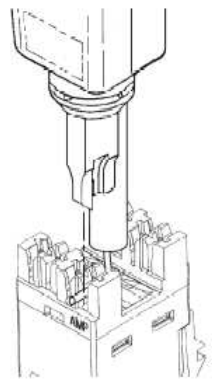


Fig.2

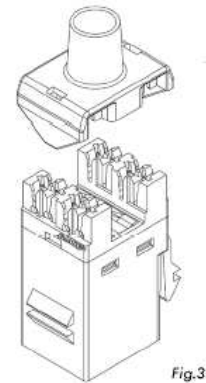


Fig.3

Supply Options

You can order different frame sizes and you can combine other mechanisms with a telephone sockets depending on the frame you choose