

TECHNICAL FILE:

Rotary momentaneous switch

30-328



1.- Technical specifications

Rated voltage: 250 V ~

Rated current: 10 AX

Manufactured according CEI 60.669-1 standard

Surface mounting on wall and universal box according EN-60.670 standard

Screwless terminals

Works as a momentaneous switch, turns around 45° and returns back to initial position.

One single output by turning clockwise or unclockwise.

Can be used for domotic, home automation systems, electronic dimmers and with relays.



2.- Material characteristics

Body: Polyamide 66

Glow wire test: 850 °C

Terminals: Brass CuZn33

External body: Porcelain

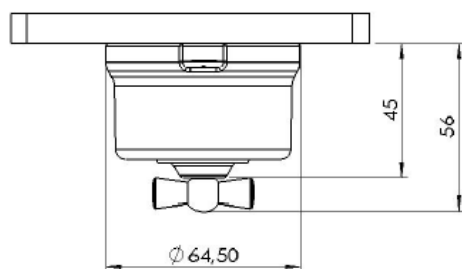
Knob: Porcelain, wood and brass

Frame: Beech wood

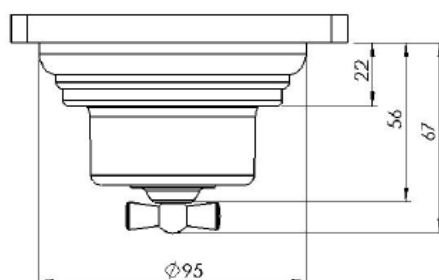


Dimensions (size in mm)

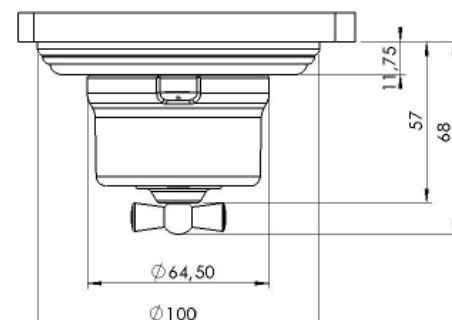
Installation on wall



With Garby frame



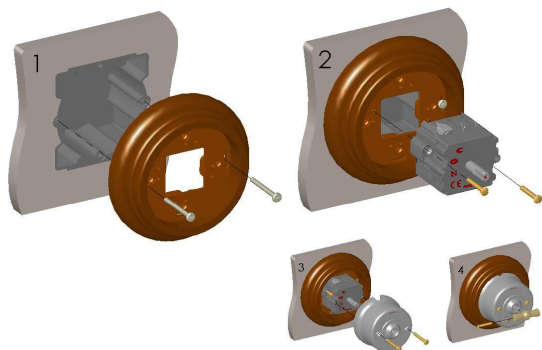
With Garby Colonial frame



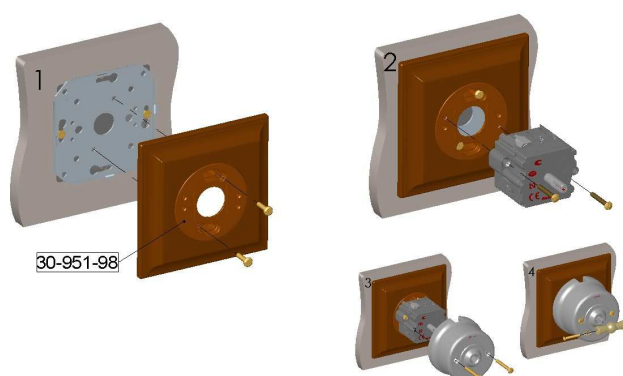
Garby Collection

INSTALLATION INSTRUCTIONS

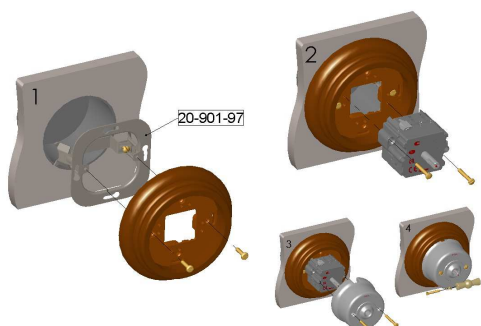
Garby frame on universal flush box installation



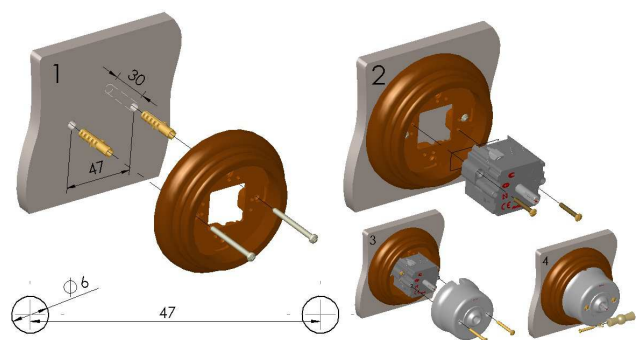
Venezia frame on universal box installation



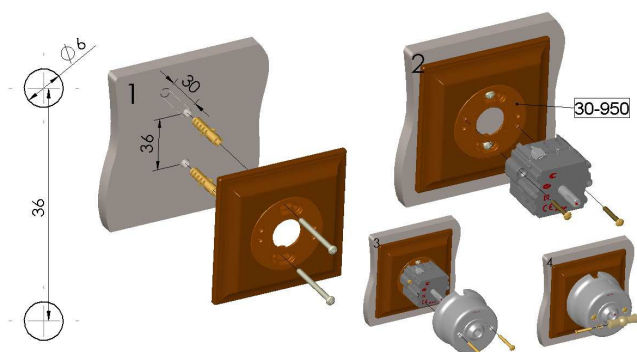
Garby frame on round box without screws



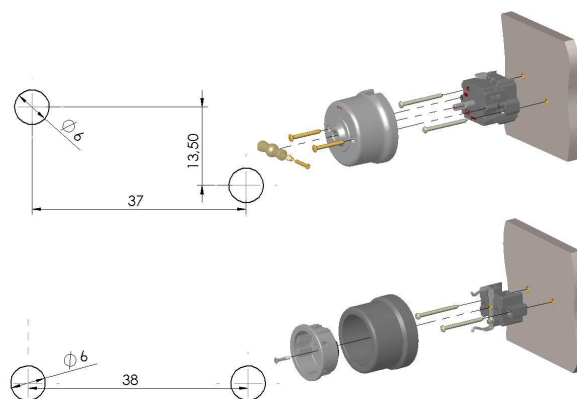
Garby frame directly on wall installation



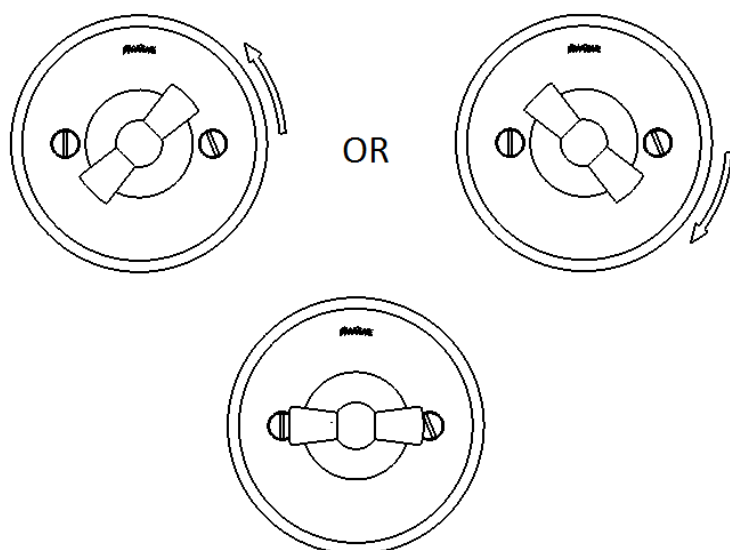
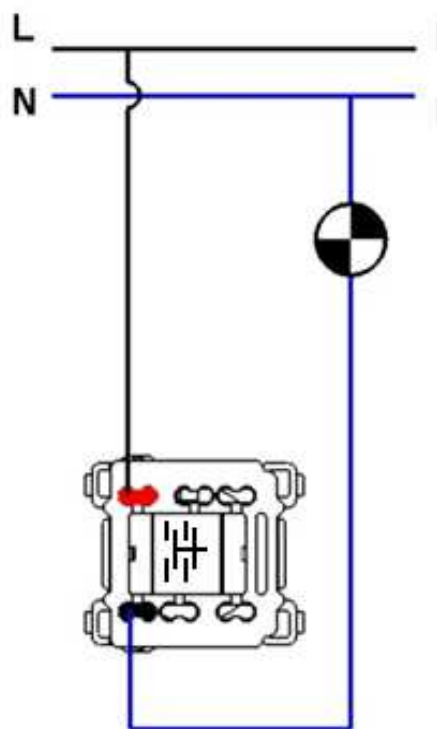
Venezia frame directly on wall installation



Without frame directly on wall



Installation diagram



STEP 1. Turning switch clockwise or unclockwise output is ON when maintaining.

STEP 2. Once released, knob returns to it's initial position and output is OFF.

Garby Collection

FT_MOMENTANEOUSSWITCH_GARBY_ENG
Rev: 15 de septiembre de 2017
El: M.Pacheco

FONTINI S.A.
Pol.Ind.Can Bernades-Subirà
C/Anoia 15
Sta.Perpètua de Mogoda (Barcelona)